

1 ROOF DUCTS

Accessory for plastic ventilation ductwork

THF315

THF315, roof terminal exhaust

Roof terminal for air intake in connection with mechanical ventilation system.



PRODUCT BENEFITS

- Simple design
- Easy fitting
- Multiple sizes available

Product description

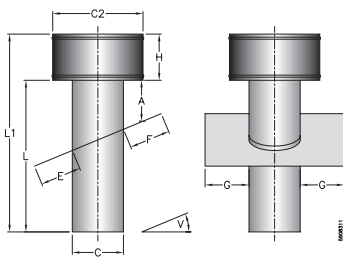
EXHAUSTO roof terminal THA is designed for air exhaust and THF is designed for outdoor air intake in connection with mechanical ventilation systems.

The construction of the roof terminals ensures a good air technical solution with minimal pressure drop.

Note: THA/THF does not comply with the Fire Standard DS428, which requires 50 mm insulation in roof penetration.

Dimensional data

C (mm)	315
C2	550
H (mm)	220
L1 - 0-35	1020
L1 - 36-60	1369
Empty weight (kg)	13



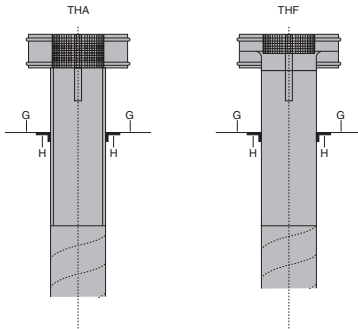
Accessory for plastic ventilation ductwork

THF315**THF315, roof terminal exhaust****Installation**

Dimensions E, F and G apply only to PERFORM flashing.
With zinc, the flashing is always 100 mm.

PERFORM flashing can cater for $\pm 2.5^\circ$ relative to the given roof pitch.

A dimension varies according to degree dimension. C = adapter size.



The THF roof terminal is for outdoor air intakes with a round inlet, giving minimal pressure drop. It has an integral bird net.

Dimensions E, F and G apply only to PERFORM flashing.
With zinc, the flashing is always 100 mm

PERFORM flashing can cater for $\pm 2.5^\circ$ relative to the given roof pitch.

A dimension varies according to degree dimension. C = adapter size.

Curve