

1 ROOF DUCTS

Accessory for plastic ventilation ductwork

THF500

THF500, roof terminal exhaust

Roof terminal for air intake in connection with mechanical ventilation system.



PRODUCT BENEFITS

- Simple design
- Easy fitting
- Multiple sizes available

Product description

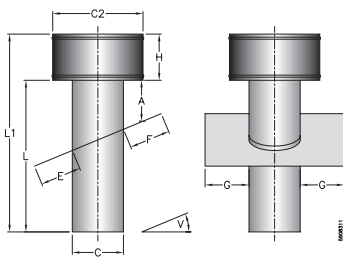
EXHAUSTO roof terminal THA is designed for air exhaust and THF is designed for outdoor air intake in connection with mechanical ventilation systems.

The construction of the roof terminals ensures a good air technical solution with minimal pressure drop.

Note: THA/THF does not comply with the Fire Standard DS428, which requires 50 mm insulation in roof penetration.

Dimensional data

C (mm)	500
C2	850
H (mm)	290
L1 - 0-35	1233
L1 - 36-60	1483
Empty weight (kg)	30



Accessory for plastic ventilation ductwork

THF500

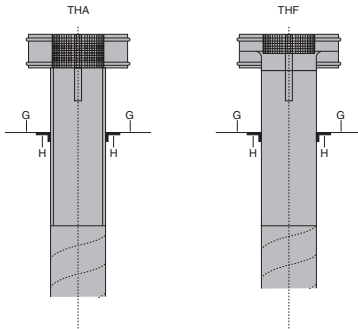
THF500, roof terminal exhaust

Installation

Dimensions E, F and G apply only to PERFORM flashing.
With zinc, the flashing is always 100 mm.

PERFORM flashing can cater for +/- 2.5° relative to the given roof pitch.

A dimension varies according to degree dimension. C = adapter size.



The THF roof terminal is for outdoor air intakes with a round inlet, giving minimal pressure drop. It has an integral bird net.

Dimensions E, F and G apply only to PERFORM flashing.
With zinc, the flashing is always 100 mm

PERFORM flashing can cater for +/- 2.5° relative to the given roof pitch.

A dimension varies according to degree dimension. C = adapter size.

Curve

